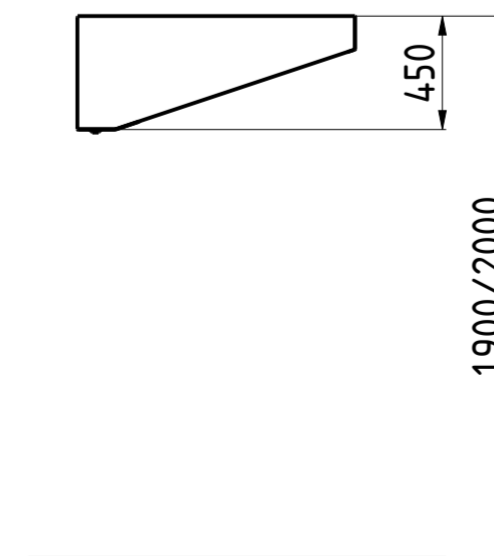
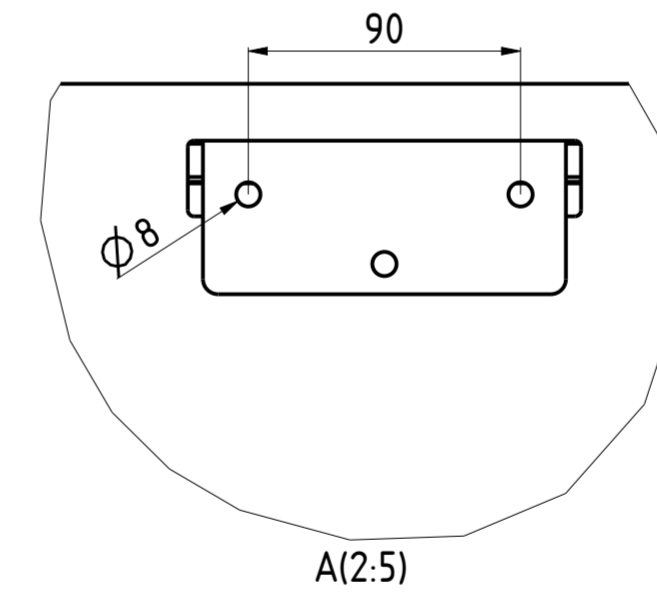
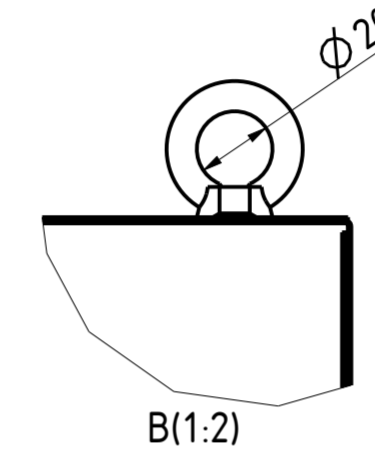
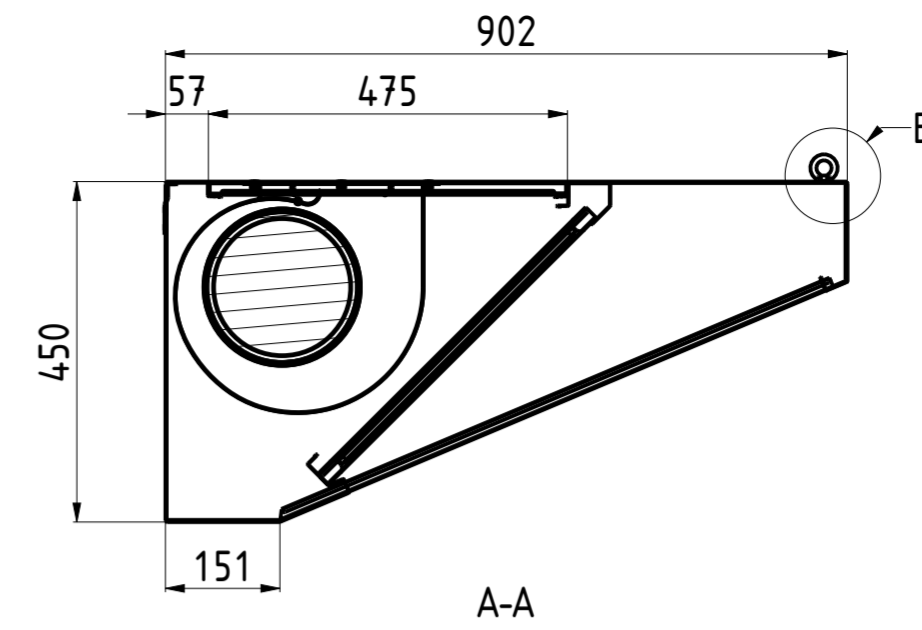
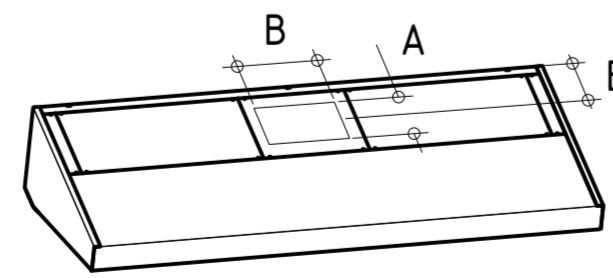
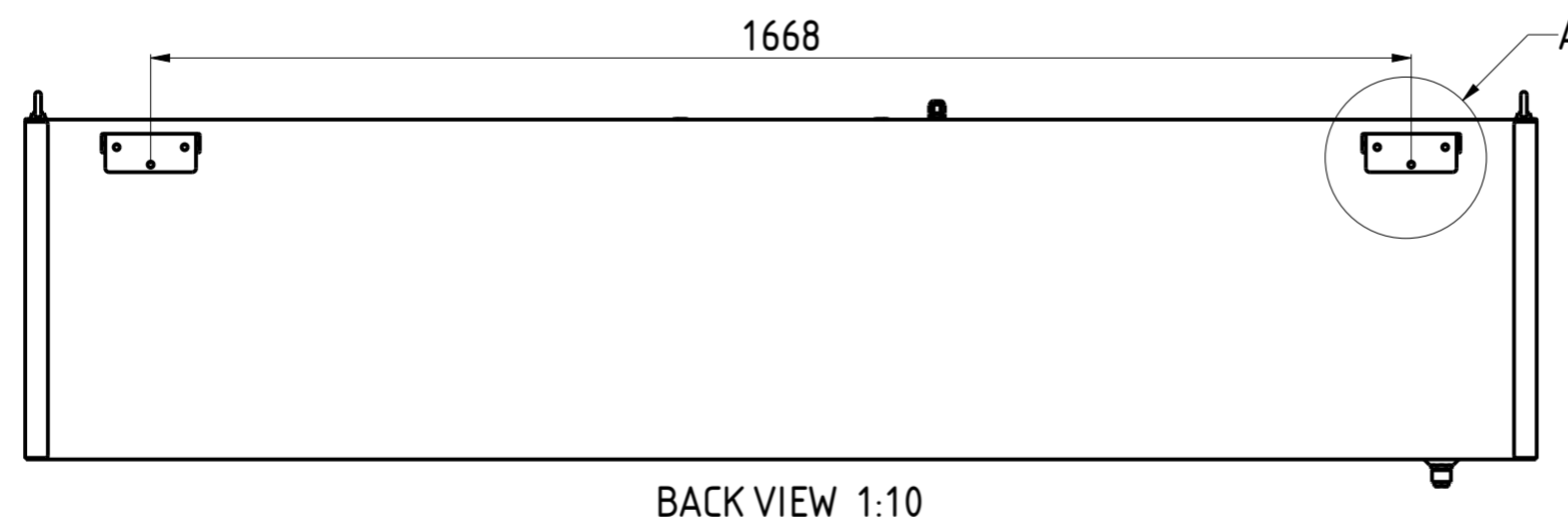
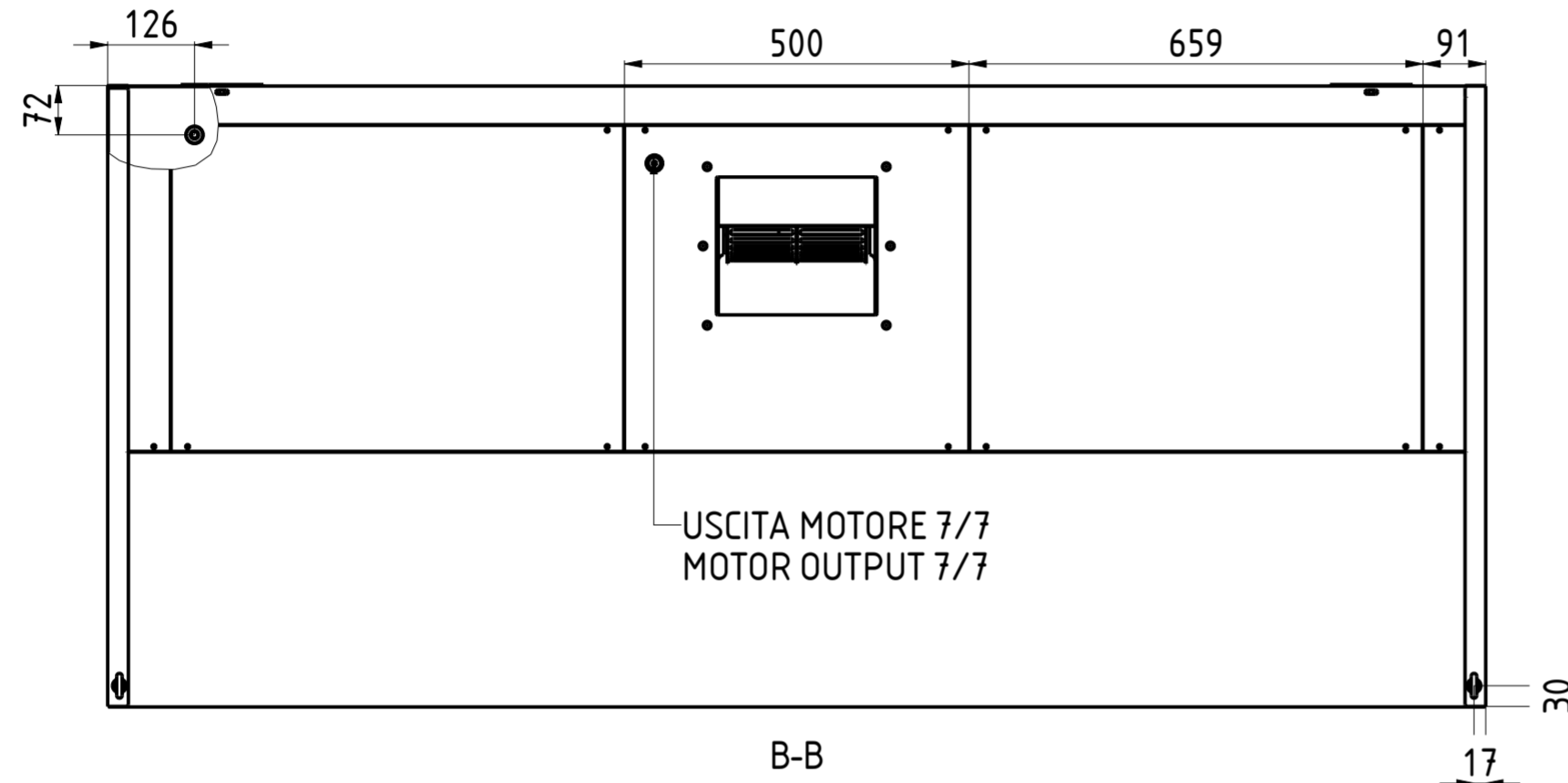
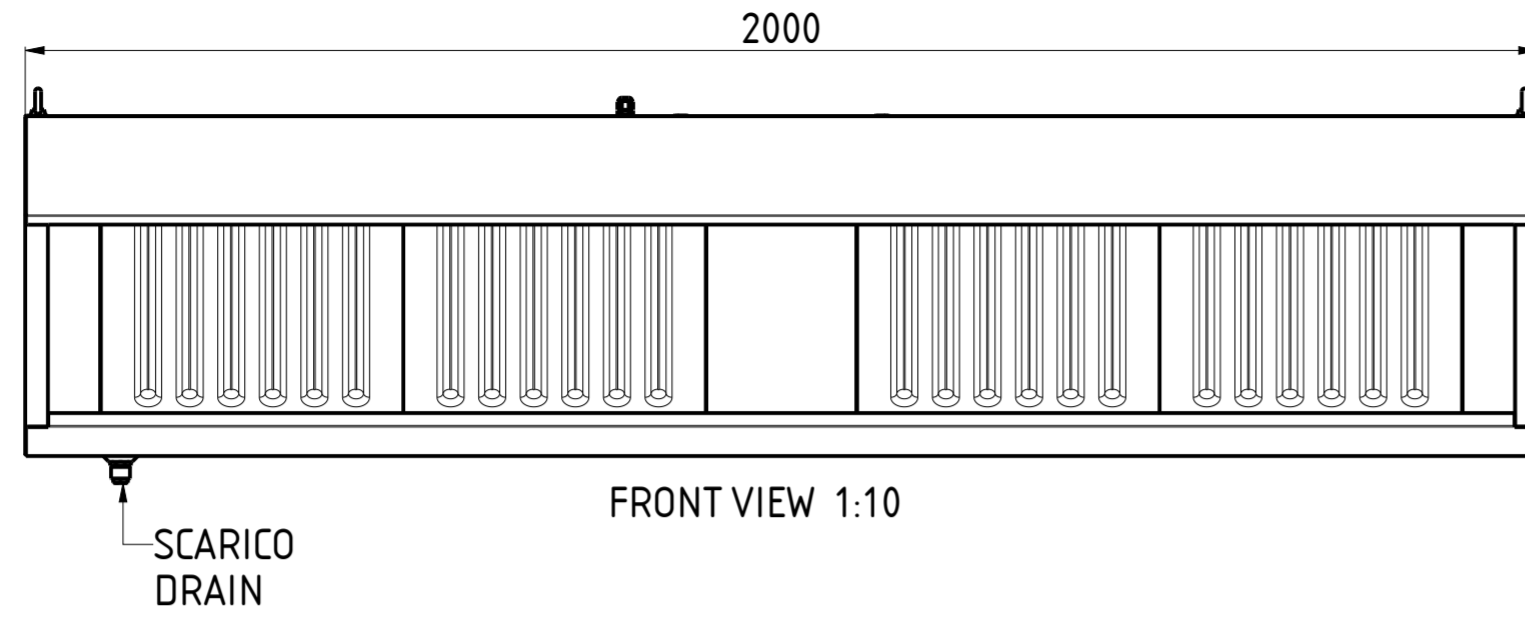
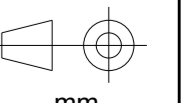


# CHSN09L200M



FORO AxB HOLE AxB	E	NR. LUCI NR. LIGHTS	PORTATA FLOW RATE	HST mmH:0	WATT	SDR	PESO (Kg) WEIGHT (Kg)
210x230	230	—	2270	28	147	7/7	83

DATA DATE	MODIF.N. MODIF.NO.	DESCRIZIONE MODIFICHE MODIFICATION DESCRIPTION	DISEGNATO DRAWN BY	APPROVATO APPROVED
MODELLO MODEL		CAPPA SNACK CON MOTORE 9/20 SNACK HOOD WITH MOTOR 9/20	SCALA SCALE	-
PARTICOLARE DETAIL		SCHEDA TECNICA DATA SHEET	DATA DATE	-
MATERIALE MATERIAL		AISI 304 - AISI 430	SPESS. THICK.	-
FINITURA FINISH			PEZZI N. PIECES NO.	
TRATTAMENTO TREATMENT			COLORE COLOUR	
			SHEET	1 OF 2
			ULTIMA EMISS. LAST EDITION	



mm

FORM.A-2

TOLLERANCE UNLESS OTHERWISE STATED  
 QUOTE SENZA TOLLERANZA  
 TOLERANCE UNLESS OTHERWISE STATED  
 QUOTE SENZA TOLLERANZA  
 ELABORATO CON SISTEMA CAD  
 DESIGNED BY CAD/STEM  
 QUOTA PRIMARIA  
 PRIMARY DIMENSION  
 XX  
 ANGOLI  
 Angles  
 >500  
 ±0.75  
 400-500  
 ±0.65  
 315-400  
 ±0.60  
 250-315  
 ±0.55  
 180-250  
 ±0.50  
 120-180  
 ±0.45  
 80-120  
 ±0.40  
 50-80  
 ±0.35  
 18-30  
 ±0.25  
 10-18  
 ±0.20  
 5-10  
 ±0.15  
 0-5  
 ±0.10  
 LUNGHEZZE E DIAMETRI  
 LENGTH AND DIAM.